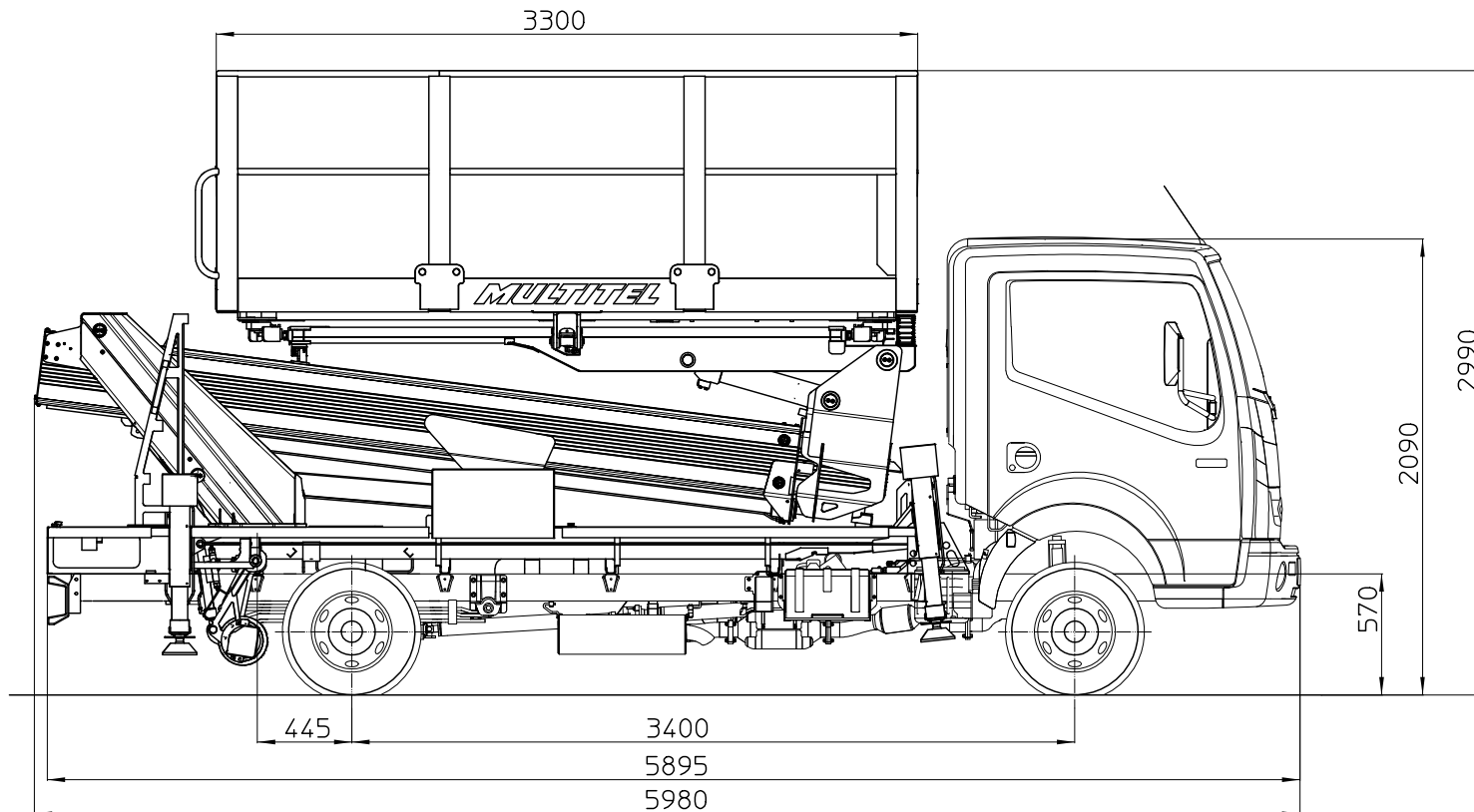


**MULTITEL**  
SINCE 1911



**MS 100**